



CE 1052 VTR.

Electric cooker, 5 radiant rings,
2 electric ovens.



- Body and front in stainless steel.
- Stainless steel legs with adjustable feet. Height: 150/175 mm.
- Total power: 16.9 kW.
- Electrical supply: three-phase 400V + N + E.

Hob

- Dimensions: 1000 x 650 mm.
- 1 x 3.5 kW square plate, 300 x 300 mm.
- 2 double rings 1.4 / 2.1 kW, Ø 210 mm.
- 2 x 2.1 kW rings, Ø 210 mm.

Oven

- Interior dimensions: W 400 - D 455 - H 305 mm.
- Power of heating elements:
Base + periphery roof element: 2.5 kW - Grill: 2.4 kW.
- Thermostat.
- Standard equipment: 1 oven rack, 1 enamelled roasting dish.

CE 1052 VTR W 1000 - D 650 - H 900

Variations:

OVEN (instead of static electric oven)

SFCT 001 1 convection oven (2.65 kW)*

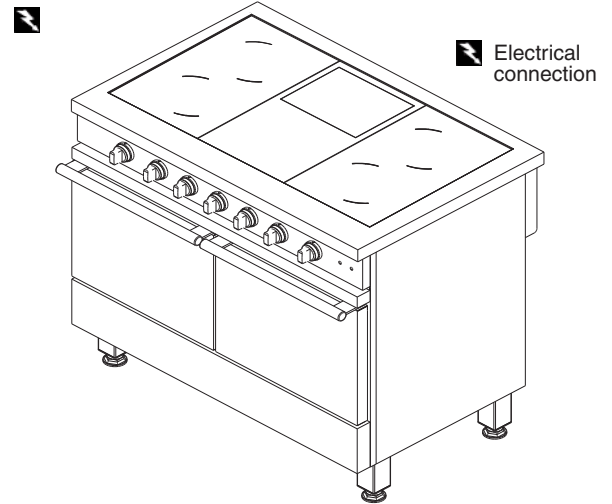
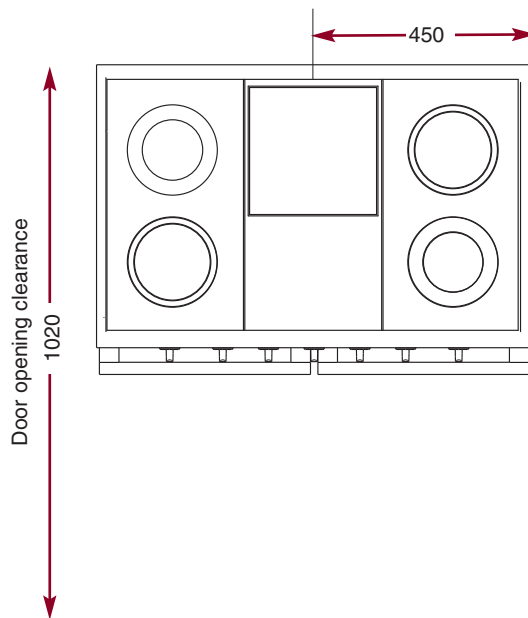
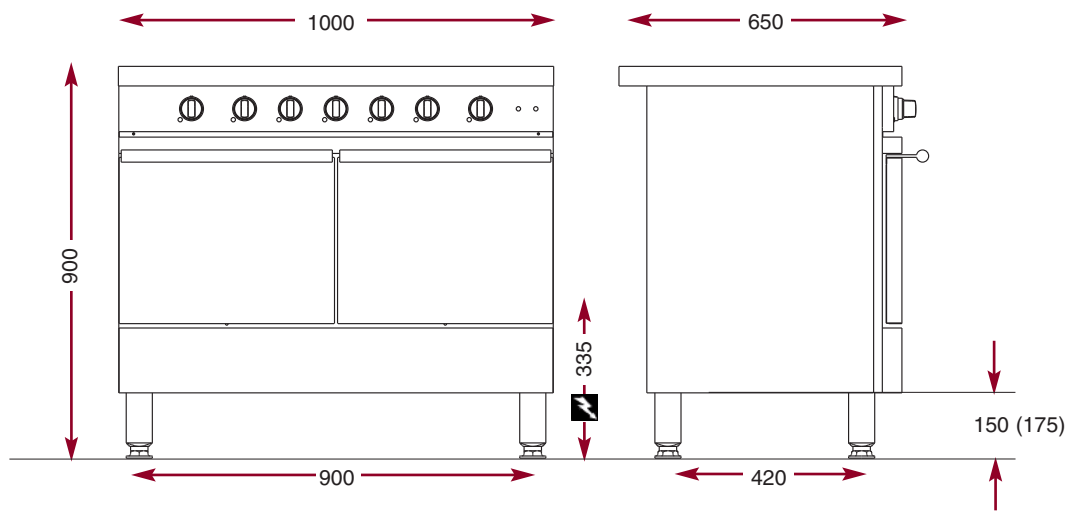
SFEB 001 1 giant electric oven of 900 mm instead of the 2 static electric

SGE 001 Electric grill (in convection oven)

* Electrical supply: 400V + N + E only.

5 radiant rings, 2 electric ovens.

CE 1052 VTR



AMBASSADE
DE FOURGOGNE

The Chef's Choice.

N° 19 - 2